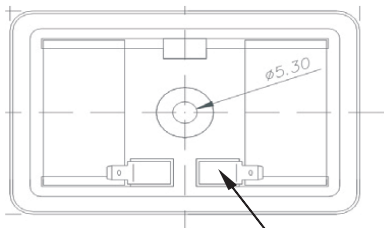


● Features

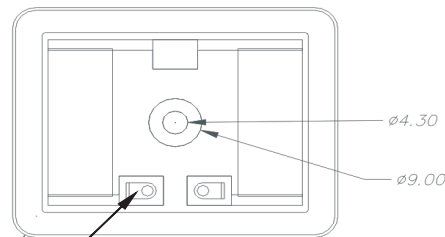
- I High frequency
- II Low inductance
- III High instantaneous Pulse
- IV RoHS compliant
- V Suitable for Braking, Snubbing and discharge requirements

● Dimensions

UBR100L

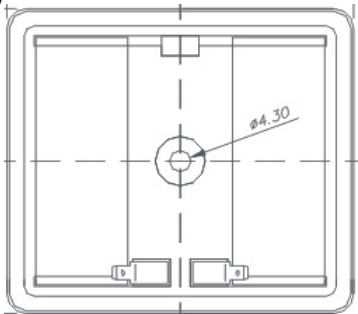


UBR100S

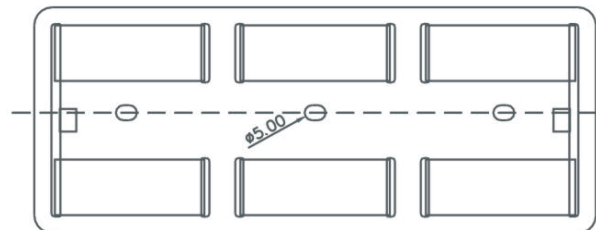


Soldering lead free
Melting point 217°C

UBR300



UBR900



Type	Power Wattage (in free air)	Power Wattage (on heat sink)	Dimensions (mm)			Resistance Ranges(Ω)	Max operating voltage	Tolerance (Code)
			Length	Width	Thickness			
UBR100L	20	100	61.0	41.0	1.0	5R to 680R	1000Vdc	K= \pm 10%
UBR100S	20	100	55.0	43.0	1.0			
UBR300	40	300	70.0	61.0	1.0			
UBR900	120	900	188.0	75.0	1.0			

Mounting Notes: It is recommended that the resistor is mounted to a heatsink with a surface finish of $<6.3\mu\text{m}$ with a flatness of $<0.05\text{mm}$. Thermal grease (e.g. Dow Corning DC340 or equivalent) should also be applied between heatsink and resistor.

Torque: The resistor should be mounted using an M4/M5 screw head bolt, torqued to a maximum of 6Nm.

Cable specifications: AWG 20 - 0.519mm^2 wire \varnothing , UL style 1015, 105°C , 600V, 100mm length but other length available on request. Push-on terminals: 5.5x2.8mm, 0.8 mm thick

Ordering Information

Example:

UBR	100	5R00	K
(1)	(2)	(3)	(3)
Series Name	Resistance Ranges(Ω)	Resistance	Resistance Tolerance

(1)Series Name: UBR

(2)Resistance Ranges(Ω): Wattage(in free air):20W 40W 120W,Wattage(on heat sink):100W 300W 900W

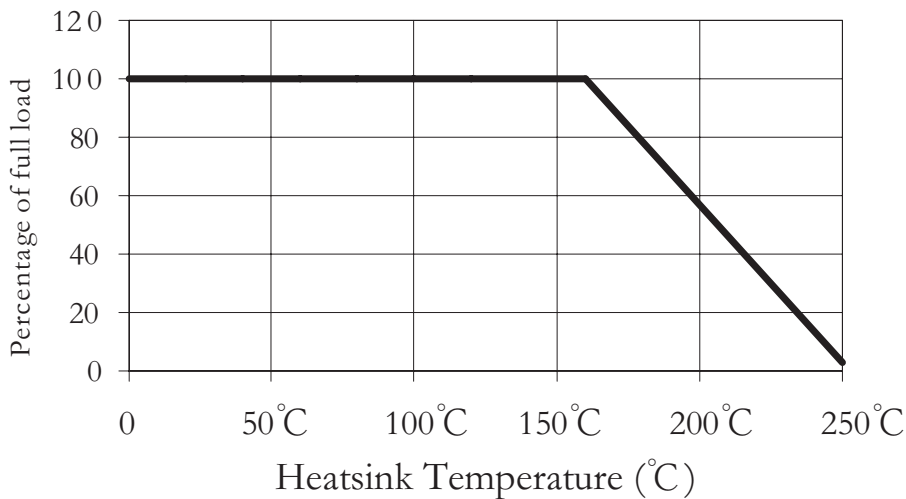
(3)Resistance: 5R00=5 Ω ,10R00=10 Ω ,680R00=680 Ω

(4)Resistance Tolerance: K= \pm 10%

Applications And Ratings

Type	Power Wattage (in free air)	Power Wattage (on heat sink)	Resistance Ranges(Ω)	Max operating voltage	Tolerance (Code)	Operating temperature	Temperature coefficient
UBR100L	20	100	5R to 680R	1000Vdc	K= \pm 10%	-50 $^{\circ}$ C to +200 $^{\circ}$ C	\pm 150ppm/ $^{\circ}$ C
UBR100S	20	100					
UBR300	40	300					
UBR900	120	900					

Derating Curve



Performance

Tolerance (Code):	\pm 10% (K)
Operating temperature:	-50 $^{\circ}$ C to +200 $^{\circ}$ C
Max operating voltage:	1000Vdc
Temperature coefficient:	\pm 150ppm/ $^{\circ}$ C
Max surface temperature:	200 $^{\circ}$ C. For > 200 $^{\circ}$ C please contact KW X
Dielectric strength:	2.5kVdc, 60s at 50Hz
Inductance:	< 6 μ H
Standard value:	E12 - 10R, 22R, 47R, 68R, 100R, 220R, 470R, 680R (other values available on request)