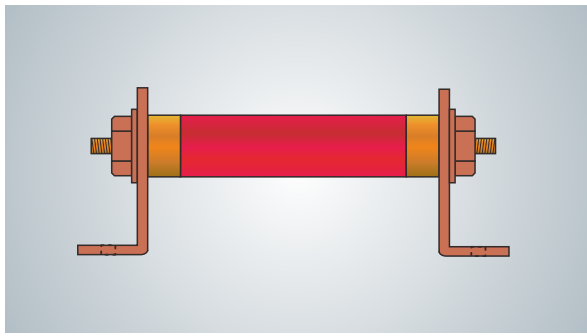
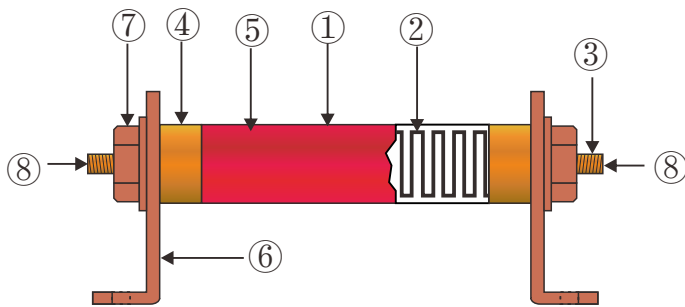


HVZ 高压玻璃釉电阻器 High Voltage Glaze Resistor



本体颜色: Body Color
 标准品: Standard (Red 红色)
 标示: Marking
 印字: Alphanumeric (20W~1000W)
 (根据客户要求提供相应标识)
 (According to the customer request to provide corresponding identification)

● 结构图 Construction



- ① 陶瓷基体 Ceramic core
- ② 玻璃釉质电阻膜层 Glazed resistive film
- ③ 螺杆 Screw
- ④ 铜帽 Copper cap
- ⑤ 保护膜 Protective coating
- ⑥ 环氧支架 Epoxy stents
- ⑦ 环氧螺母 Epoxy nut
- ⑧ 接线端 Terminal

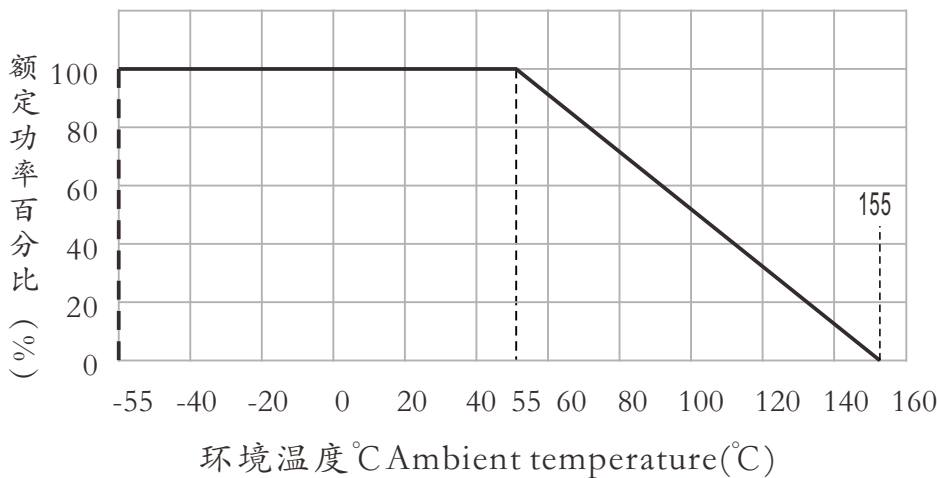
● 特性 Feature

- 无感设计 No Inductance
- 高精度 Excellent Tolerance
- 阻值范围宽 Wider resistance values
- 高耐压、高功率 High Voltage、High Power

● 应用

- 1、冲击电压发生器
 - 2、电弧炉阻尼, 能源研究
 - 3、脉冲调制器, 雷达脉冲开成网络
 - 4、电容器的消弧电路, 高电压缓冲电路
 - 5、X-ray/头像设备和EMI/闪电抑制
- 1、Impulse voltage generator
 - 2、Electric-arc furnace damping,
 - 3、Pulse modulator, radar pulse opens the network
 - 4、Arc suppression circuit of capacitor, high voltage buffer circuit
 - 5、X-ray/head portrait equipment and EMI/ lightning suppression

● 降功耗曲线 Derating Curve



● 参考规格 Reference Standards

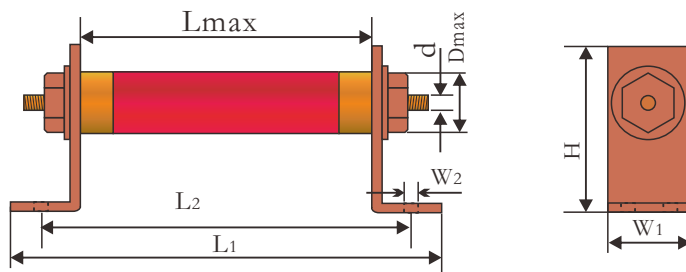
JIS C 5201-1

HVZ 高压玻璃釉电阻器 High Voltage Glaze Resistors

功率、阻值范围与耐电压 Power And Resistance etc

额定功率 Rated Power(W)	阻值范围 Resistance Range (Ω)	温度系数 (PPM/ $^{\circ}$ C)	最大工作 电压(KV)	使用温度	阻值公差
20W	1.0K-1000G	± 300	30	-55 $^{\circ}$ C ~ +70 $^{\circ}$ C	F($\pm 1\%$) G($\pm 2\%$) J($\pm 5\%$) K($\pm 10\%$)
25W	1.0K-1000G	± 300	30		
30W	1.0K-1000G	≤ 400	30		
50W	1.0K-1000G	≤ 400	30		
80W	1.0K-1000G	≤ 400	30		
100W	1.0K-1000G	≤ 400	30		
150W	1.0K-1000G	≤ 400	35		
200W	1.0K-1000G	≤ 400	35		
300W	1.0K-1000G	≤ 400	35		
400W	1.0K-1000G	≤ 400	35		
500W	1.0K-1000G	≤ 400	40		
600W	1.0K-1000G	≤ 400	50		
800W	1.0K-1000G	≤ 400	60		
1000W	1.0K-1000G	≤ 400	80		

外形尺寸 Dimensions



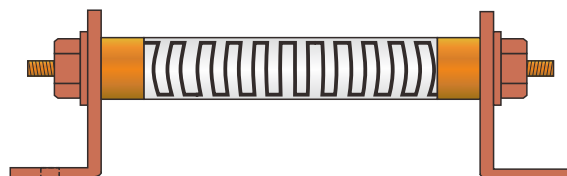
规格 Type	功率 Power	尺寸Dimensions(mm)							
		Lmax	Dmax	d ± 0.1	L1	L2	H	W1	W2
HVZ20W	20W	147 ± 2	11 ± 1	M6	167 ± 2	187 ± 2	40 ± 1	20 ± 1	10 ± 1
HVZ25W	25W	116 ± 2	17 ± 1	M6	156 ± 2	136 ± 2	50 ± 1	20 ± 1	10 ± 1
HVZ30W	30W	116 ± 2	19 ± 1	M6	156 ± 2	136 ± 2	50 ± 1	20 ± 1	10 ± 1
HVZ50W	50W	116 ± 2	19 ± 1	M6	156 ± 2	136 ± 2	50 ± 1	20 ± 1	10 ± 1
HVZ80W	80W	116 ± 2	21 ± 1	M6	156 ± 2	136 ± 2	50 ± 1	30 ± 1	10 ± 1
HVZ100W	100W	130 ± 2	27 ± 1	M6	170 ± 2	150 ± 2	60 ± 1	30 ± 1	10 ± 1
HVZ150W	150W	160 ± 2	27 ± 1	M6	200 ± 2	180 ± 2	60 ± 1	30 ± 1	10 ± 1
HVZ200W	200W	210 ± 2	27 ± 1	M6	250 ± 2	230 ± 2	60 ± 1	30 ± 1	10 ± 1
HVZ300W	300W	260 ± 2	27 ± 1	M6	310 ± 2	290 ± 2	60 ± 1	30 ± 1	10 ± 1
HVZ400W	400W	310 ± 2	33 ± 1	M6	350 ± 2	330 ± 2	65 ± 1	45 ± 1	15 ± 1
HVZ500W	500W	480 ± 2	27 ± 1	M6	530 ± 2	530 ± 2	60 ± 1	30 ± 1	10 ± 1
HVZ600W	600W	520 ± 2	27 ± 1	M6	560 ± 2	560 ± 2	60 ± 1	30 ± 1	10 ± 1
HVZ800W	800W	620 ± 2	33 ± 1	M6	660 ± 2	660 ± 2	65 ± 1	40 ± 1	10 ± 1
HVZ1000W	1000W	920 ± 2	33 ± 1	M6	980 ± 2	980 ± 2	65 ± 1	40 ± 1	10 ± 1

HVZ 高压玻璃釉电阻器 High Voltage Glaze Resistors

● 无电感性能特点

HVZ采用无感设计，独特的玻璃釉膜按照类似"长城"图案分布，这种高效率的无电感量设计，不会降低任何电阻性能优势，非常适合要求高频率的产品应用。电感量在 $0.1\mu\text{H}\sim 1\mu\text{H}$

HVZ use non-inductive design, special glazed film, distribute itself like the Great Wall pattern, this high efficiency and non-inductive design will not cut any advantages of the resistor's function. It is perfect for products which request high frequency. Inductor value keeps at $0.1\mu\text{H}\sim 1\mu\text{H}$



● 性能Performance

试验项目 TEST ITEM	性能要求 SPECIFICATIONS
阻值精度 Resistance Tolerance	$\pm 1\% \pm 5\% \pm 10\%$ (如有特殊需要可提供0.5% tolerance to 0.5% on special order)
温度系数 Temperature Coefficient	100ppm/°C (测试区间: $+25^{\circ}\text{C}\sim +125^{\circ}\text{C}$; $+25^{\circ}\text{C}\sim -55^{\circ}\text{C}$) 100ppm/°C (Referenced to $+25^{\circ}\text{C}$, $R\Delta$ taken at $+125^{\circ}\text{C}$ and -55°C)
寿命 Load life	$+125^{\circ}\text{C}$, 1000小时 $\Delta R \leq 0.5\%$
绝缘层电阻 Insulate resistance	$\geq 1000\text{M}\Omega$
涂覆层 Encapsulation	高温硅树脂 High temperature silicone conformal
过载 Overload	2.5额定功率 (≤ 1.5 Max. operating voltage) 5s $\Delta R \leq 0.5\%$
热冲击 Thermal shock	$\Delta R \leq 0.25\%$
耐潮性能 Moisture resistance	$\Delta R \leq 0.4\%$
可焊引线 Solderable Lead	$30 \pm 3\text{mm}$

● 料号编号 ordering Information

例 Example

HVZ	20	J	100K0	A
型号 Type	额定功率 Rated Power	误差值 Tolerance	电阻值 (Ω) Resistance	特殊码 Special forming
	20: 20W 50: 50W 100: 100W	F($\pm 1\%$) G($\pm 2\%$) J($\pm 5\%$) K($\pm 10\%$)	100K0=100K Ω 1M0=1M Ω	A1配螺栓, 支架 A1With screw bracket A2不配螺栓, 无支架 A2Without screw bracket