

陶瓷电阻器 CERAMICS RESISTOR

SQZ 陶瓷电阻器 (Wirewound type ceramic core)

MQZ 陶瓷电阻器 (Metal oxide film type)

GQZ 陶瓷电阻器 (Wirewound type, glass core)



本体颜色: Body Color

标准品: Standard (White 白色)

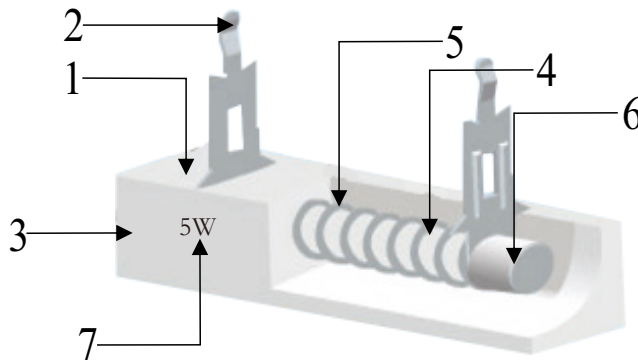
标示: Marking

文字: Alphanumeric (1W~100W)

(根据客户要求提供相应标识)

(According to the customer request to provide corresponding identification)

● 结构图 Construction



1	2	3	4	5	6	7
二氧化硅填充料	端子	陶瓷壳	玻纤棒或陶瓷棒	线绕或氧化膜层	镀锡铁帽	标示
SiO ₂ materials	Iron plate	Ceramic shell	Glass core or ceramic core	Wire-wound or metal oxide film	Tinned iron cap	Making

● 特性 Feature

- I 完全不可燃和高度绝缘性的安全设计
Compact type with safety design of non-flammability and insulation
- II 长期稳定性优良
Stable long life
- III 可提供低电感设计产品
Low inductance is available
- IV 符合欧盟RoHS要求
Products meet EU-RoHS

● 参考规格 Reference Standards

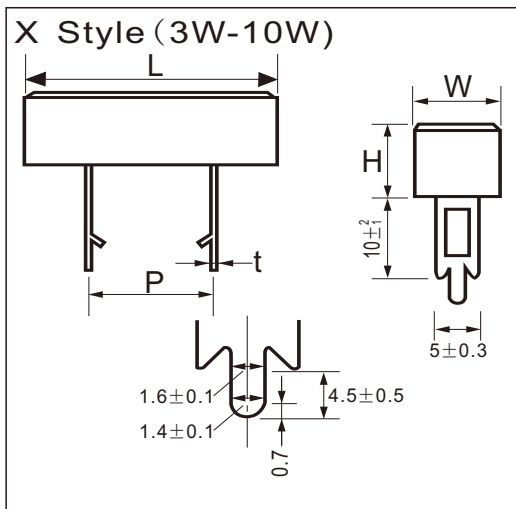
JIS C 5201-1

陶瓷电阻器 CERAMICS RESISTOR

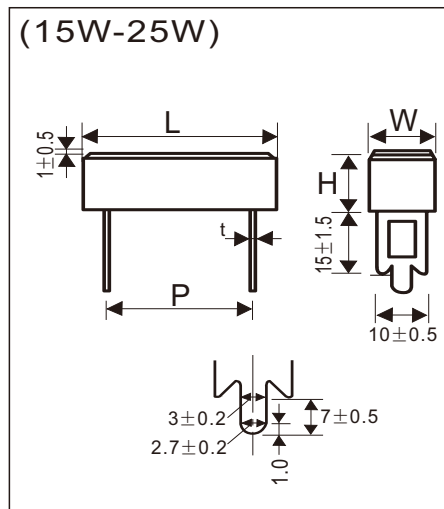
● 功率、阻值范围与耐电压 Power And Resistance etc

额定功率 Rated Power(W)	阻值范围 Resistance Range(Ω)		最高使用电压 MaxWorking Voltage	最高负荷电压 MaxOverload Voltage	耐电压Dielectric Withstanding Voltage	温度系数 T.C.R
	皮膜型 Metal oxide film type	绕线型 Wire wound type				
3	100~39K	0.01~3K	350V	1000V	1000V	皮膜型 Metal oxide film MQZ ±350PPM/°C 绕线型 Wirewound SQZ GQZ ±100PPM/°C
5	100~50K	0.01~10K	350V	1000V		
7	100~100K	0.05~20K	500V	1500V		
10	100~100K	0.1~20K	750V	1500V		
15	100~100K	0.1~20K	1000V	1500V		
20	100~100K	0.1~20K	1000V	1500V		
25	100~100K	0.1~20K	1000V	1500V		

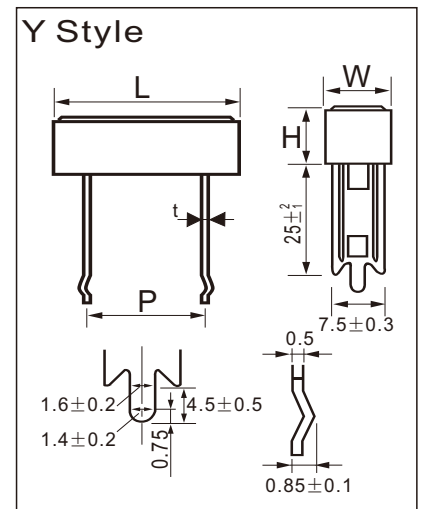
● 外形尺寸 Dimensions



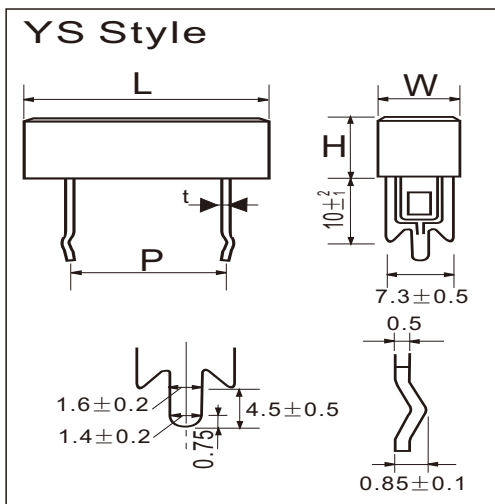
标准型 3W-10W



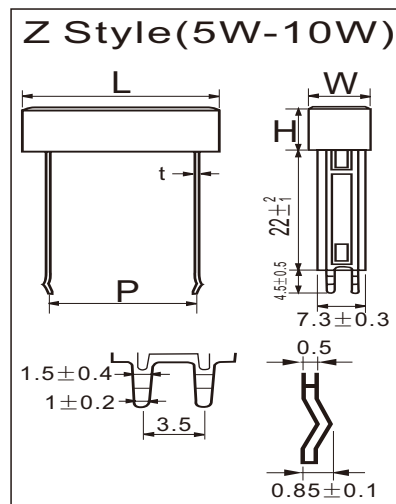
标准型 15W-25W



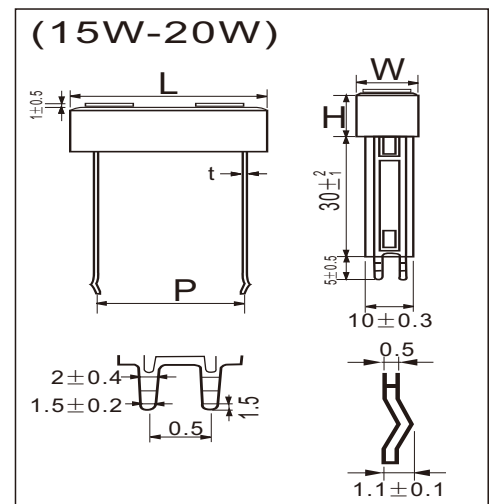
选用型ZA



选用型SQZT



选用型SQZB



选用型SQZC

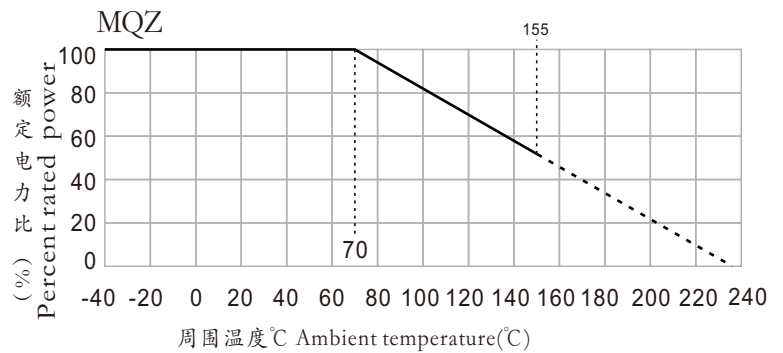
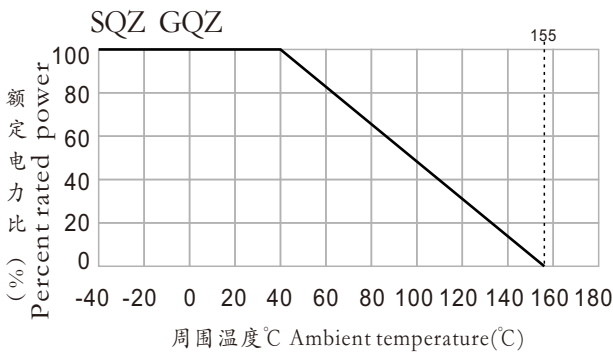
陶瓷电阻器 CERAMICS RESISTOR

规格 Type	功率 Power	尺寸Dimensions(mm)				
		L±1.5	W±1	H±1	P±1	t±0.1
SQZ MQZ GQZ	3W	24.0	9.0	9.0	12.5	0.4
	5W	27.0	9.5	9.5	15.5	0.4
	7W	35.0	9.5	9.5	22.5	0.4
	10W	48.0	9.5	9.5	32.5	0.4
	15W	48.0	12.5	12.5	32.5	0.5
	20W	63.0	12.5	12.5	50.0	0.5
	25W	63.0	12.5	12.5	50.0	0.5

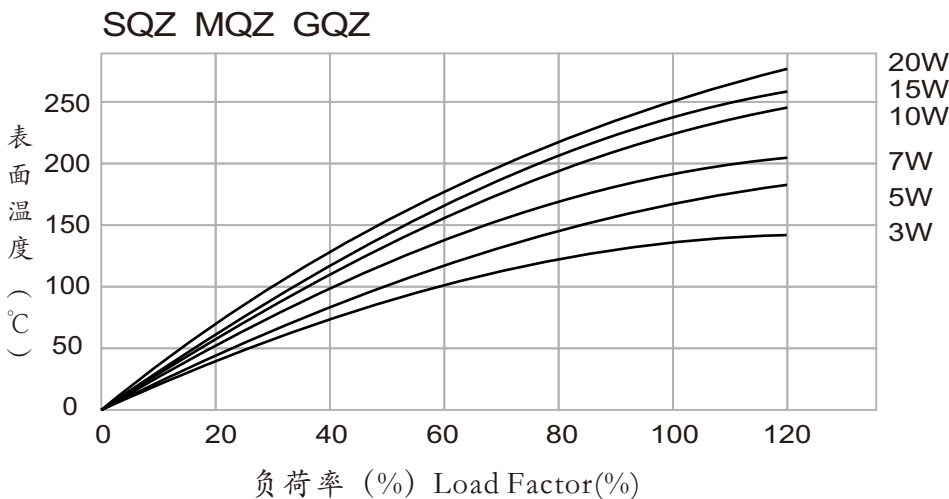
我们接受客户对于端子形状的更多要求，请向我们的工程师询问 kwx@kwxcom.com
 We can make the terminal with many different shapes , more details please email to our engineer, kwx@kwxcom.com.

● 额定温度下降曲线图 Derating Curve

例 Example



● 表面温升曲线 Temperature rising curve



陶瓷电阻器 CERAMICS RESISTOR

性能 Performance

试验项目 Test Items	规格值 Performance Requirements	试验方法 Test Methods(JIS C 5201-1)
电阻值 Resistance	规定的误差值内 Within specified tolerance	测量点从端盖10mm Measuring points are 10mm from the end cap
温度系数 T.C.R.	规定值内 Within specified T.C.R	室温+100℃ Room temperature+100℃
短时间过负荷 Short time overload	$\pm(1\%R+0.05\Omega)$	10倍额定功率, 5秒 10 times the rated power for 5 seconds
负荷寿命 Load life	$\pm(5\%R+0.1\Omega)$	Rated voltage at 70℃ for 1,000 hours 1.5hr ON/0.5hr OFF Cycles
耐湿负荷寿命 Load life in humidity	$\pm(5\%R+0.1\Omega)$	额定电压40℃, 95% RH, 1000小时 Rated voltage at 40℃, 95%RH for 1,000 hours
温度循环 Temperature cycle	$\pm(1\%R+0.05\Omega)$	5 cycles for -25℃ (30min); room temp. (30min) ~+85℃ (30min) room temp. (30min)
焊锡耐热 Resistance to soldering heat	$\pm(1\%R+0.05\Omega)$	260℃ \pm 5℃ for 10 seconds(焊锡槽) 350℃ \pm 10℃ for 3.5 seconds(手焊锡)
绝缘电阻 Insulation resistance	> 100M Ω	500V绝缘测试1分钟 500V insulation test 1min.

料号编号 ordering Information

例 example

型号Type	额定功率 Rated Power	误差值 Tolerance	电阻值 (Ω) Resistance	特殊码 Serial code
SQZ MQZ GQZ	01:1W 02:2W 07:7W 10:10W 25:25W 100:100W	J \pm 5% F \pm 1% G \pm 2%	R100=0.1 1R00=1 10R0=10 1000=100	A

注意事项：我们还提供如下性能的产品设计，以满足你的需要，
针对SQZ、MQZ、GQZ产品

- I 提供超小型尺寸产品设计和生产
 - II 提供无电感产品设计和制作
 - III 提供抗脉冲高压产品的设计和生
 - IV 提供高稳定性和可靠性的军用品与工业品的产品设计和生产
- 如需更多支持，请联系我们的工程师 kwx@kwxcom.com

To meet your request :

We also provide products for below functions, for SQZ、MQZ、GQZ etc.

- I Mini size design
- II Non-inductive products design
- III Anti-pulse high voltage design
- IV Design resistor for High stability and reliable military supplies and industrial products .

More details please contact with our engineer. kwx@kwxcom.com